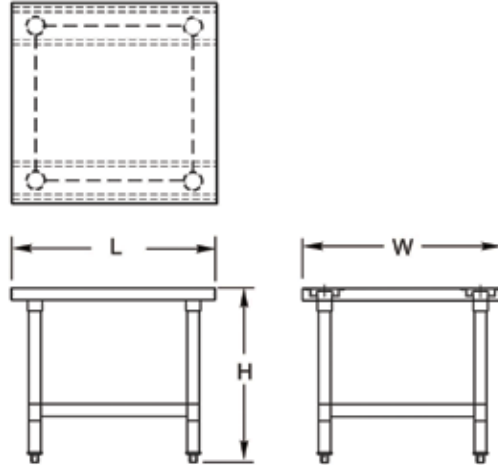


## Rice Cooker Stand

- \* Easy to assemble.
- \* S/S Top, Galvanized leg, under-shelf, and gussets are standard.
- \* Top reinforced with welded on "hat" channel frame.
- \* Adjustable ABS bullet feet.
- \* Ships K.D., easy to assemble and clean.

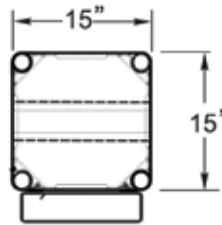


Order No	Description	Weight lbs/case
ES-RC20	Rice Cooker Stand 20"W x 20"L x 20-1/2"H	22.4

## Rice Warmer Cart

Great design for table service, multiple uses in restaurants, hospitals, hotels, school, and labs.

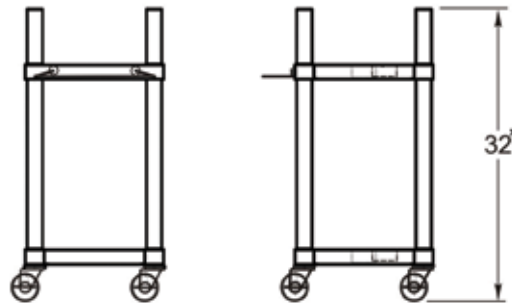
- \* 4" swivel casters with brakes.
- \* Holds a large rice warmer/cooker ( up to 110 cups /16-1/2" diameter).
- \* 200 lb. capacity per shelf.
- \* Both shelves are adjustable.
- \* 15"Wx15"Lx30"H overall size.
- \* Shipped knock-down., easy to assemble and clean.



**Replacement Caster:**



KS 4113 (w/side brake)



Order No	Description	Load Capacity ( lbs )	Weight lbs/case
ES-RC15	Rice warmer cart 15"W x 15"L x 32"H	200	28