



ROYAL SERIES UNDERBAR GLASS & CHEMICAL STORAGE CABINETS

MODEL: _____ PROJECT: _____ ITEM #: _____ QTY: _____

PRODUCT IMAGES



KR18-GSB3 SHOWN

KR18-24SC SHOWN

AVAILABLE IN 1800 or 2100 SERIES

OPTIONAL ACCESSORIES

- **KR-310** Right End Splash
- **KR-311** Left End Splash
- **KR-701** Perforated Dump Basket

STANDARD FEATURES

- **Sink Bowl**
20 gauge stainless steel. 10" x 14" x 6" deep bowl with 1" drain
- **Drainboard**
20 gauge embossed stainless steel reinforced with welded braces every 6". $\frac{3}{4}$ " radius on all vertical and horizontal edges
- **Front Apron**
20 gauge stainless steel clad over 20 gauge galvanized steel
- **Slide Out Chemical Drawer**
20 gauge stainless steel
- **Shelf**
20 gauge stainless steel
- **Backsplash**
20 gauge stainless steel
- **Sides**
20 gauge stainless steel
- **Back and Bottom**
20 gauge galvanized steel
- **Legs**
1 $\frac{5}{8}$ " tubular 16 gauge stainless steel with grey plastic bullet foot
- **Plumbing**
 $\frac{1}{2}$ " IPS hot and cold water. 1" IPS drain connection
- **Faucet**
4" OC wall or deck mount faucet with ceramic cartridge valves
- **Low Lead Compliance**
Low Lead Compliant faucet options are available to meet California AB-1953 and Vermont S152 standards



CERTIFICATIONS:

APPROVED BY:

Due to our commitment to continued product improvement, specifications are subject to change without notice.

Printed in the USA

Krowne Metal Corporation

100 Haul Rd. Wayne, NJ 07470 • Toll Free: (800) 631-0442 • Fax: (973) 872-1129
sales@krowne.com • www.krowne.com • www.facebook.com/KrowneMetal • www.twitter.com/KrowneMetal

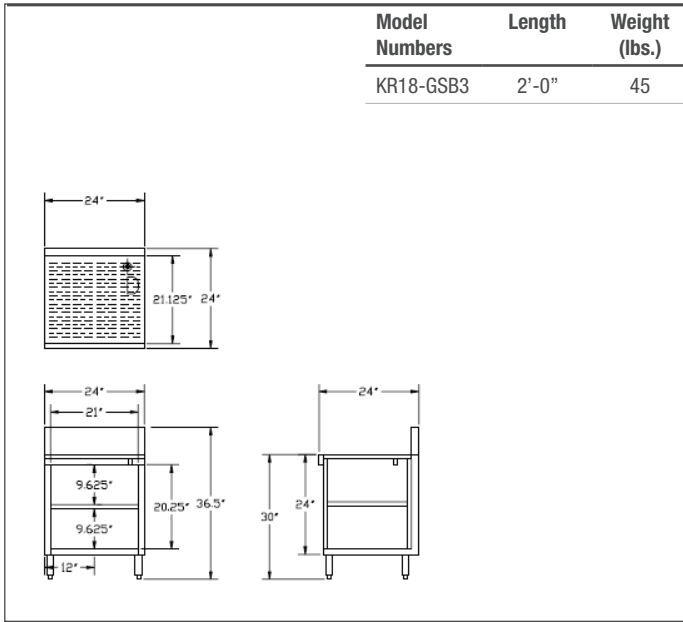
Rev. 09/2011
No. 5.20



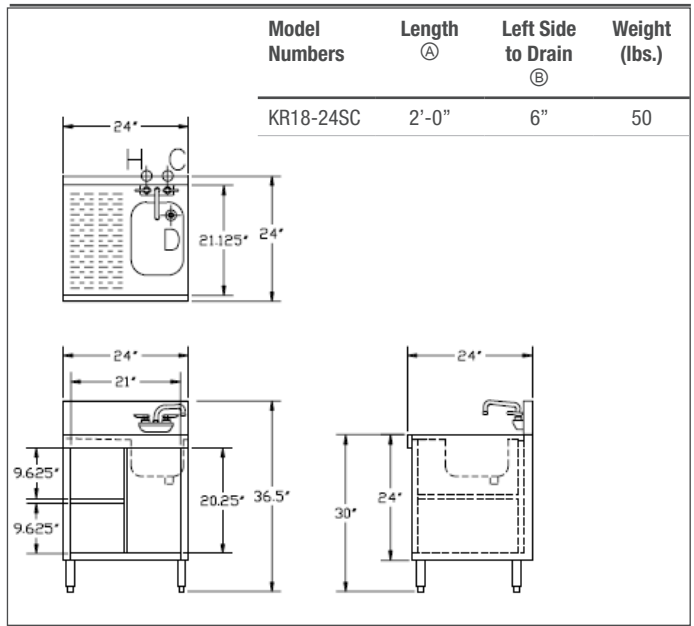
ROYAL SERIES UNDERBAR GLASS & CHEMICAL STORAGE CABINETS

MODEL: _____ PROJECT: _____ ITEM #: _____ QTY: _____

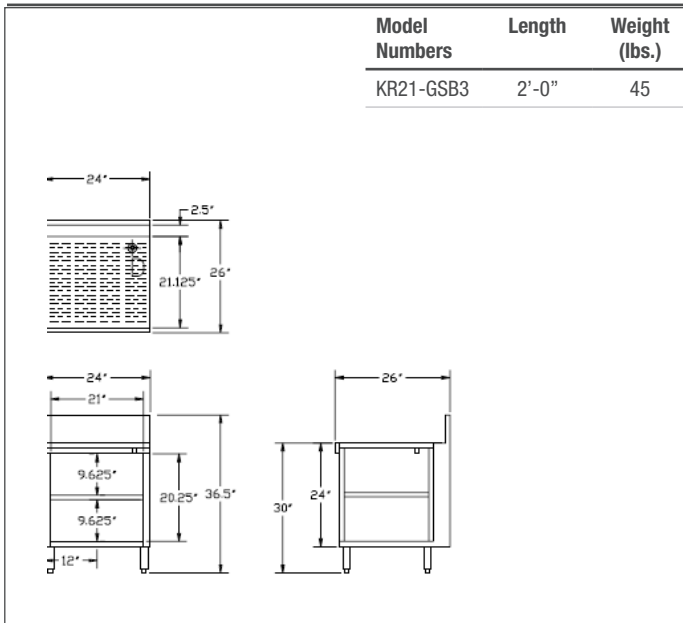
1800 SERIES: GLASS STORAGE



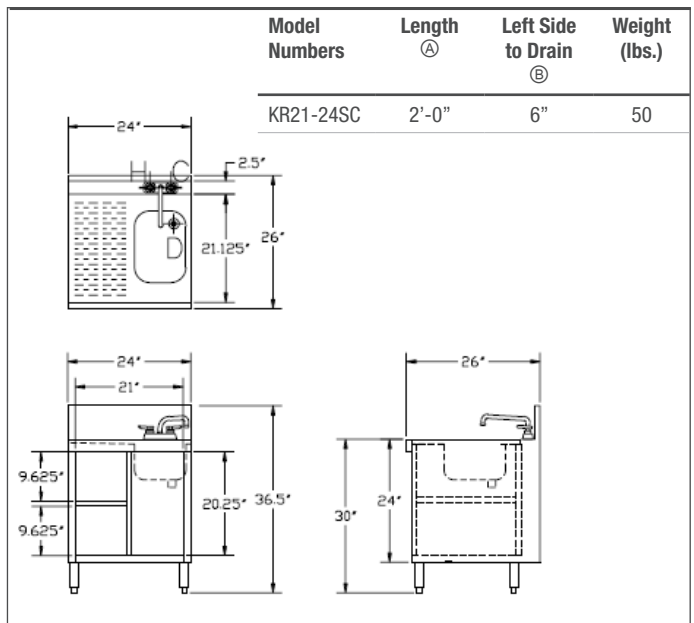
1800 SERIES: CHEMICAL STORAGE



2100 SERIES: GLASS STORAGE



2100 SERIES: CHEMICAL STORAGE



APPROVED BY:

Due to our commitment to continued product improvement, specifications are subject to change without notice.

CERTIFICATIONS:

Krowne Metal Corporation

Printed in the USA

100 Haul Rd. Wayne, NJ 07470 • Toll Free: (800) 631-0442 • Fax: (973) 872-1129

Rev. 09/2011

sales@krowne.com • www.krowne.com • www.facebook.com/KrowneMetal • www.twitter.com/KrowneMetal

No. 5.20