



**John
BOOS**
Since 1887

ITEM #: _____ QTY: _____

MODEL #: _____

PROJECT NAME: _____

121817

3601 S. Banker St. Effingham, IL 62401 • P.O. BOX 609 • Ph: (888) 431-2667 • Fax: (800) 433-2667

"EUBIB-21" UNDERBAR ICE BINS



FEATURES:

- INSULATED ICE BIN 12" DEEP, WITH DRAIN
- STAINLESS STEEL LEGS AND BRACING, WITH ADJUSTABLE BULLET FEET
- ICE BIN LID INCLUDED

MATERIAL:

- TOP: 18GA 300 SERIES STAINLESS STEEL
- BRACING: STAINLESS STEEL
- LEGS: STAINLESS STEEL
- FEET: PLASTIC

CONSTRUCTION:

- TOP: STAINLESS STEEL TOPS ARE TIG WELDED, EXPOSED WELDS ARE POLISHED TO MATCH ADJACENT SURFACE.



IBLD-2421



EUBIB-12-3021

UNDERBAR ICE BINS

MODEL #	QTY
EUBIB-12-2421	
EUBIB-12-3021	
EUBIB-12-3621	
EUBIB-12-4821	

OPTIONAL ACCESSORIES

MODEL #	QTY
SPEED RAILS	
ICE BIN LIDS	
STAINLESS STEEL LEGS	

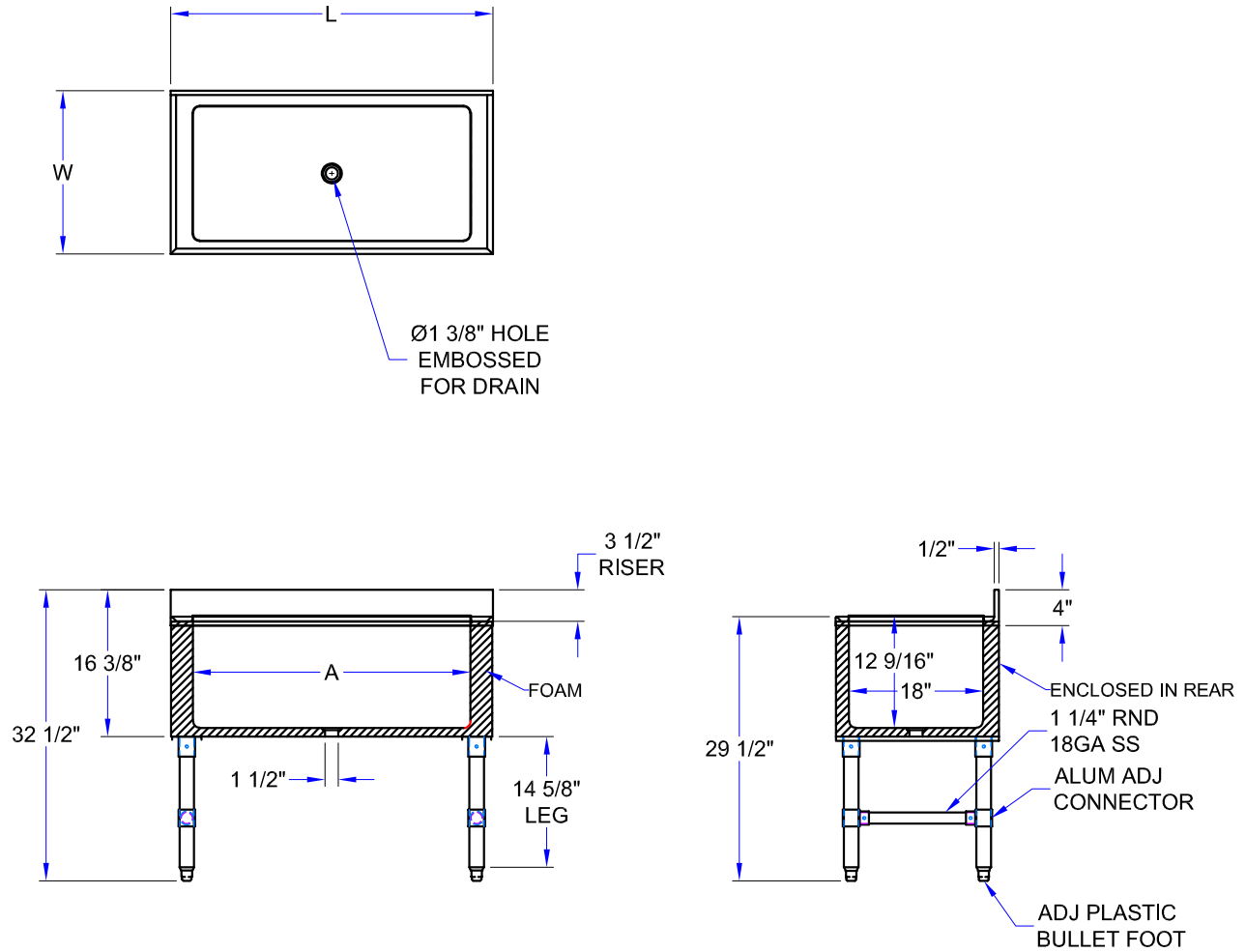
BOTTLE WELL HOLDERS

MODEL #	QTY
UB-BWH	



UB-BWH

DETAILED SPECIFICATIONS



BOTTLE WELL HOLDERS

MODEL #	LENGTH	WIDTH	HEIGHT	WT. (LBS)
UB-BWH	17-1/2"	5"	5"	2.35

FITS STANDARD 21" ICE BINS W/ & W/OUT COLD PLATES

UNDERBAR ICE BINS

MODEL #	LENGTH	WIDTH	HEIGHT	A	WT. (LBS)
EUBIB-12-2421	24"	21"	29-1/2"	20-3/8"	71
EUBIB-12-3021	30"	21"	29-1/2"	25"	79
EUBIB-12-3621	36"	21"	29-1/2"	31"	93
EUBIB-12-4821	48"	21"	29-1/2"	43"	121

WEIGHTS ARE SUBJECT TO ADDITIONAL PACKAGING

SOME UNITS SHIP UNASSEMBLED FOR REDUCED SHIPPING COST. ALL DIMENSIONS ARE TYPICAL. TOLERANCE +/- .500"
 John Boos & Co. is constantly engaged in a program of improving products and therefore reserves the right to change specifications without prior notice.



3601 S. Banker St. • Effingham, IL 62401 • PO BOX 609 • quotes@johnboos.com

071317

7



www.johnboos.com