



# 9" x 9" Drop In Sink

## Drop In Sinks



Use your smart phone to scan the above QR code to visit our website:  
[www.bk-resources.com](http://www.bk-resources.com)

### Certifications:



Shown as BK-DIS-0909-5

### Features:

- Includes BKDR-2 Drain
- Faucet Holes 4" O.C.

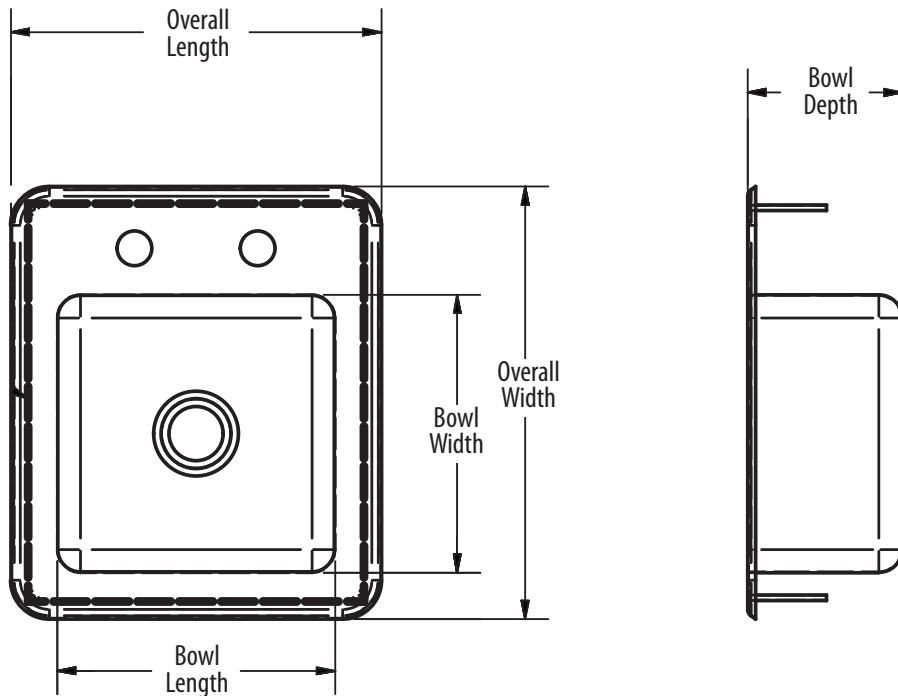
### Material:

- T-304 Stainless Steel

### Options:

- 4" O.C. Faucets
- Upgrade to Heavy Duty Faucets
- Wrist Blades
- "-P-G" Includes BKD-3G-G Lead-Free Faucet

Part Number	Unit Size (l x w x d)	Bowl Size (l x w x d)	Included Faucet	Recommended Cutout Size (l x w)
BK-DIS-0909-5	12" x 14" x 5"	9" x 9" x 5"	-	12 <sup>7</sup> / <sub>8</sub> " x 10 <sup>7</sup> / <sub>8</sub> "
BK-DIS-0909-5-P-G	12" x 14" x 5"	9" x 9" x 5"	BKD-3G-G	12 <sup>7</sup> / <sub>8</sub> " x 10 <sup>7</sup> / <sub>8</sub> "



PRODUCT DATA SHEET

BK RESOURCES

