



10" x 14" Drop In Sinks with Side Splashes

Drop In Sinks



Use your smart phone to scan the above QR code to visit our website:
www.bk-resources.com

Certifications:



Shown as BK-DIS-1014-10-SS

Features:

- Includes BKDR-4 Drain
- Faucet Holes 4" O.C.

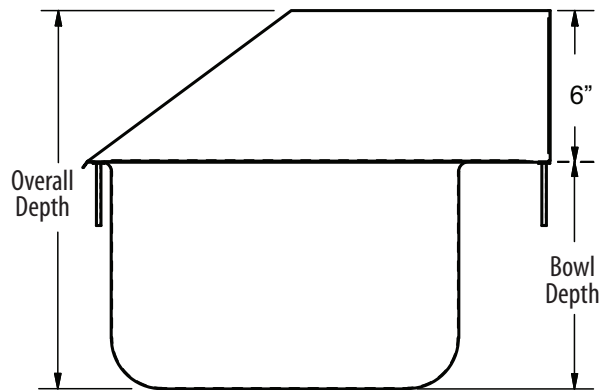
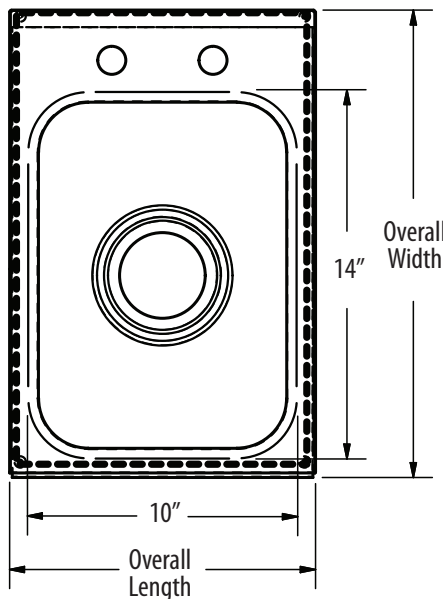
Material:

- T-304 20 ga. Stainless Steel

Options:

- Upgrade to Heavy Duty Faucets
- "-P-G" Includes BKD-3G-G Lead-Free Faucet

Part Number	Unit Size (l x w x d)	Bowl Size (l x w x d)	Side Splash	Included Faucet	Recommended Cutout Size (l x w)
BK-DIS-1014-5-SS	12 3/8" x 18 1/2" x 10 1/2"	10" x 14" x 5"	Dual	-	17" x 11 1/8"
BK-DIS-1014-5-SS-P-G	12 3/8" x 18 1/2" x 10 1/2"	10" x 14" x 5"	Dual	BKD-3G-G	17" x 11 1/8"
BK-DIS-1014-10-SS	12 3/8" x 18 7/8" x 15 1/4"	10" x 14" x 9"	Dual	-	17" x 11 1/8"
BK-DIS-1014-10-SS-P-G	12 3/8" x 18 7/8" x 15 1/4"	10" x 14" x 9"	Dual	BKD-3G-G	17" x 11 1/8"



PRODUCT DATA SHEET

BK RESOURCES

