



Outperform every day.™

Project:

Item Number:

Quantity:

ELECTRIC MEAT GRINDERS



40743



40744

ITEMS

Item No.	Model No.	Description
40743	MIN0012	Meat Grinder, No. 12
40744	MIN0022	Meat Grinder, No. 22

FEATURES

- Energy efficient motor and precision gear drive.
- Excellent fit and finish with no sharp corners or seams.
- Forward/Off/Reverse switch.
- Reliable under the most demanding conditions.
- Attractive, compact design suitable for any open kitchen or supermarket.
- Shipped with 1/8" (32 mm) and 5/16" (79 mm) grinder plates.
- Perfect for butchers, supermarkets, Asian restaurants, delis and pizza shops.
- Sausage stuffer and feed stick accessories included.
- Convenient top-mounted carrying handle.
- The grinder body, head and tray are constructed of stainless steel.
- Grinding head, pan and attachments are dishwasher safe.
- No. 12 unit features 1 HP motor to grind 264 lb (120 kg) of meat per hour.
- No. 22 unit features 1.5 HP motor to grind 528 lb (240 kg) of meat per hour.
- 6 ft. (1.8 m) cord with plug.

DESCRIPTION

Vollrath's meat grinders are noted for their exceptional reliability and attractive, compact design. Perfect for butchers, supermarkets, Asian restaurants, delis and pizza shops

WARRANTY

All models shown come with Vollrath's standard warranty against defects in materials and workmanship. For full warranty details, please refer to www.Vollrath.com.

Agency Listings



Due to continued product improvement, please consult www.vollrath.com for current product specifications.

Approvals	Date



Outperform every day.™

www.vollrath.com

The Vollrath Company, L.L.C.

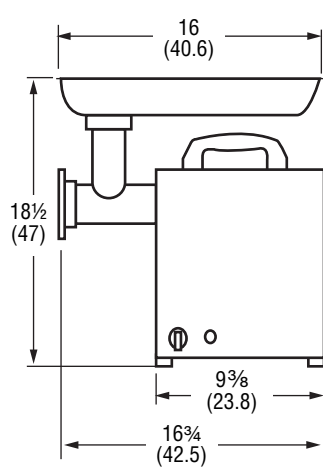
1236 North 18th Street
Sheboygan, WI 53081-3201 U.S.A.
Main Tel: 800.624.2051 or 920.457.4851
Main Fax: 800.752.5620 or 920.459.6573
Customer Service: 800.628.0830
Canada Customer Service: 800.695.8560

Technical Services
techservicereps@vollrathco.com
Toaster Products: 800.309.2250
All Other Products: 800.628.0832

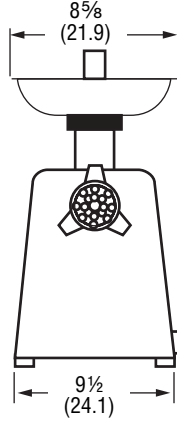
ELECTRIC MEAT GRINDERS

DIMENSIONS (Shown in inches (cm))

40743

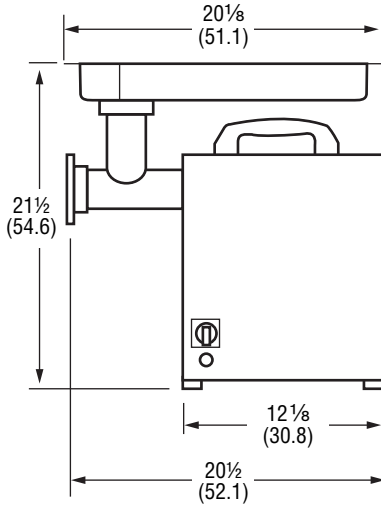


Side View

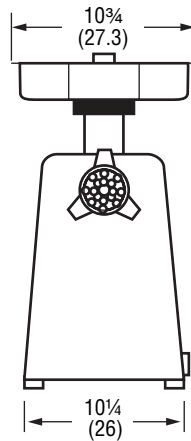


Front View

40744



Side View

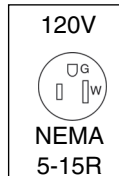


Front View

SPECIFICATIONS

Item No.	Output Lbs (kg)/Hr	HP	Voltage	Amps	Weight Lb (kg)	Plug
40743	264 (120) ²⁰⁰	1	110	6	53.4 (24.2)	NEMA 5-15P
40744	528 (240)	1 1/2		8	87.4 (39.6)	

Receptacle



Outperform every day.™

www.vollrath.com

The Vollrath Company, L.L.C.

1236 North 18th Street
 Sheboygan, WI 53081-3201 U.S.A.
 Main Tel: 800.624.2051 or 920.457.4851
 Main Fax: 800.752.5620 or 920.459.6573
 Customer Service: 800.628.0830
 Canada Customer Service: 800.695.8560

Technical Services
techservicereps@vollrathco.com
 Toasters: 1.800.309.2250
 All Other Products: 1.800.628.0832