

Technical data sheet for

## E31D4 ON THE SK2731U STAND

Half Size Digital / Electric Convection Oven  
on a Stainless Steel Stand



### E31D4

Unit shall be a Moffat electrically heated Turbofan convection oven E.T.L. listed and NSF-4 listed. The oven shall have a one piece porcelain enameled oven chamber, stainless top and sides and safe touch vented easy clean side hinged door that offers field reversible hinging. Oven shall have capacity for four half size sheet pans and include a top broiling oven element and broil operating mode. The oven shall be controlled by an electronic control having separate digital displays and adjusting knobs for time and temperature functions. The oven control shall allow both manual and programmed operating modes and have separate control keys for selection of Broil mode, oven light function and timer operation. The unit shall include a halogen oven lamp. Oven shall be able to be bench mounted on 3" / 76mm feet or mounted on oven stand model SK2731U. Oven shall be fitted with a NEMA 6-15P cordset. Unit shall be supplied in 100% recyclable shipping packaging.

### SK2731U

Unit shall be a Moffat Turbofan stainless steel oven stand NSF-4 listed. The stand shall be constructed from stainless steel tube with castors, with front castors having dual swivel and wheel locks. It shall be fitted with 6 tray runners suitable for up to 12 half size sheet pans or 6 full size sheet pans. The stand shall be fully compatible with, and support, Turbofan Convection Oven models E27, E28 and E31. Unit shall be supplied in 100% recyclable shipping packaging.

### STANDARD FEATURES

- 4 half size sheet pan or hotel pan capacity
- 3½" / 80mm tray spacing
- Compact 24¼" / 616mm depth x 31⅞" / 810mm width
- 15A plug-in (NEMA 6-15P cordset fitted)
- Digital display Time and Temperature Controls
- Large easy view ¾" / 20mm high displays
- Electronic thermostat control
- Electronic timer with countdown or time count modes
- Programmable for up to 20 programs
- Broil mode
- Single direction low-velocity fan
- 2.8kW heating in bake mode / 2.0kW grill-broil elements
- Safe-Touch vented side hinged door (standard LH hinge).  
Optional RH hinge (field convertible)
- Stay-Cool door handle
- Porcelain enameled oven chamber
- Plug-in continuous oven door seal
- Halogen oven lamp
- Anti-skid 2" / 50mm dia. 3" / 76mm high adjustable stainless steel feet
- 4 oven wire racks supplied
- 100% recyclable packaging

### ACCESSORIES

- Turbofan SK2731U Oven Stand

### E31D4 Half Size Digital / Electric Convection Oven on a Stainless Steel Stand

#### CONSTRUCTION

Porcelain enameled fully welded oven chamber  
Stainless steel front, sides and top exterior  
Stainless steel oven fan baffle and oven vent  
Removable 4 position chrome plated wire side racks  
Oven grids chrome plated wire (4 supplied)  
Stainless steel frame side hinged door  
0.2" / 5mm thick door outer glass  
0.2" / 5mm thick low energy loss door inner glass  
Full stainless steel welded door handle  
Stainless steel control panel  
Aluminized coated steel base and rear panels

#### CONTROLS

Electronic controls with Digital Time and Temperature display,  
Manual or Program modes  
Large ¾" / 20mm high LED displays  
Two individual time and temperature setting control knobs  
6 function keys  
ON/OFF key  
Oven Lamp key (toggle or auto-time off mode settings)  
Timer Start/Stop key  
Broil/Grill mode quick select key  
Programs select key  
Actual temperature display key  
Adjustable buzzer/alarm volume  
Thermostat range 150-500°F / 50-260°C  
Timer range from 180 minutes in countdown mode  
Timer range up to 999 minutes in time count mode for holding,  
slow cooking  
Over-temperature safety cut-out

#### CLEANING

Stainless steel top and sides continuous exterior panel  
Porcelain enameled oven chamber  
Fully removable chrome plated oven side racks  
Removable porcelain enameled oven fan baffle  
Easy clean door system with hinge out door inner glass (no  
tools required)  
Removable plug-in oven door seal (no tools required)  
3" / 76mm high stainless steel feet for easy access underside

#### SPECIFICATIONS

##### Electrical Requirements

208V, 60Hz, 1-phase, 2.9kW, 13.9A  
220-240V, 60Hz, 1-phase, 3.1W, 12.9A  
NEMA 6-15P cordset fitted



##### External Dimensions

Width 31 7/8" / 810mm  
Height 24 5/8" / 625mm including 3" / 76mm feet  
Depth 24 1/4" / 616mm

##### Oven Internal Dimensions

Width 22 1/4" / 565mm  
Height 16 3/4" / 425mm  
Depth 15 1/2" / 395mm  
Volume 3.2ft³ / 0.09m³

##### Oven Rack Dimensions

Width 21 1/4" / 540mm  
Depth 14 1/2" / 370mm

##### Nett Weight (E31D4)

119lbs / 53.8kg

##### Packing Data (E31D4)

150lbs / 68.2kg  
15.9 ft³ / 0.45m³  
Width 29 1/8" / 740mm  
Height 28 3/8" / 720mm  
Depth 32 7/8" / 835mm

### SK2731U Stainless Steel Stand

All stainless steel welded frame oven stand for Turbofan  
E27, E28 and E31 Series model ovens  
6 position tray runners standard  
3" / 76mm diameter wheel swivel castors standard with 2 front  
castors with dual swivel and wheel  
Welded 1 1/2" and 1 1/4" square tube front and rear frames  
Welded rack supports/side frames  
4 dia. 3" / 76mm swivel castors with 2 front castors dual wheel  
and swivel lock  
Top frame oven supports suit Turbofan E27, E28 and E31  
Series oven mounting  
Supplied CKD for assembly on site

##### External Dimensions (SK2731U Oven Stand)

Width 31 7/8" / 810mm  
Height 34 5/8" / 880mm  
Depth 25 5/8" / 650mm

##### Nett Weight (SK2731U Oven Stand)

43lbs / 19.5kg

##### Packing Data (SK2731U Oven Stand)

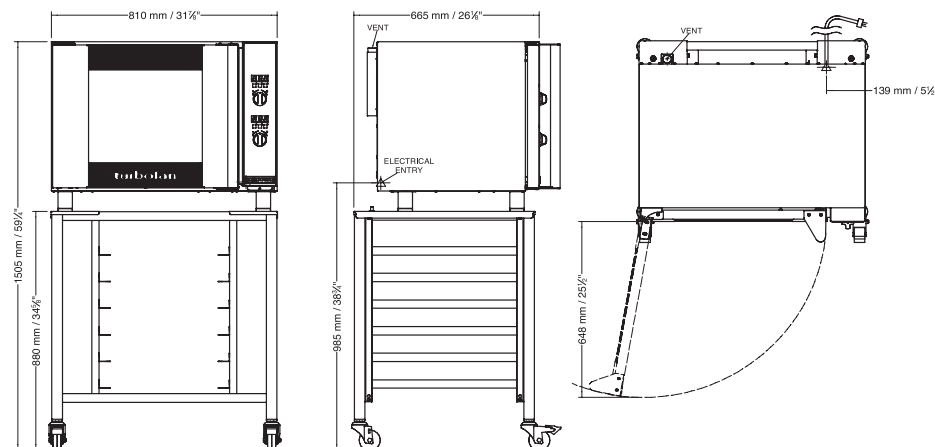
49lbs / 22kg  
3.9ft³ / 0.11m³  
Width 32 5/8" / 830mm  
Height 35 1/2" / 900mm  
Depth 6" / 152mm

#### INSTALLATION CLEARANCES

Rear 1" / 25mm  
LH Side 1" / 25mm  
RH Side 1" / 25mm

#### CLEARANCE FROM SOURCES OF HEAT

A minimum distance of 12" / 300mm from the appliance sides  
is required



www.moffatusa.com  
www.turbofanoven.com

#### U.S.A.

Moffat Inc  
3765 Champion Boulevard  
Winston-Salem  
North Carolina 27105  
Ph Toll Free 1-800-551 8795  
Ph 336-661 0257  
Fax 336-661 9546  
Email sales@moffat.com  
www.moffatusa.com

Manufactured by:  
Moffat Limited  
45 Illinois Drive, Izone Business Hub  
Rolleston 7675, New Zealand



ISO9001  
Quality  
Management  
Standard

Designed and manufactured by



#### ISO9001

All Turbofan products are designed and  
manufactured by Moffat using the  
internationally recognised ISO9001  
quality management system, covering  
design, manufacture and final inspection,  
ensuring consistent high quality at all times.

In line with policy to continually develop  
and improve its products, Moffat Limited  
reserves the right to change specifications  
and design without notice.

