



NOR-LAKE, INCORPORATED
727 Second Street
Hudson, Wisconsin 54016

800-955-5253
715-386-2323
866-961-5253 Parts
800-388-5253 Service
715-386-6149 FAX
www.norlake.com

ICE CRUSHER



N14CRSS-A

PROJECT:

ITEM NUMBER:

MODEL NUMBER:

ICE CRUSHER

SPECIFICATIONS FOR: N14CRSS-A

- **Exterior finish:** Exterior front, back and sides are stainless steel. Top and access door are stainless steel.
- **Interior finish:** Ice chopper is stainless steel.
- **Capacity:** Crushes large ice cubes into smaller chips. For use on salad bars or for iced drinks.
- **Hardware:** Select type of ice in coarse, medium or fine, by means of front lever. Ice is deposited in a large capacity poly carbonate tote pan. Unit is equipped with a safety guard to protect the operator.
- **Electrical:** Protected power switch to prevent accidental start of motor. Motor protected by remote circuit breaker located near power switch.
- **Approvals:** UL, C-UL and UL Sanitation listed **

STANDARD FEATURES

- Poly carbonate tote pan
- Stainless steel exterior
- Stainless steel top and access door
- Stocked for same day shipment
- UL, C-UL and UL Sanitation listed **
- Warranties: 1 year parts and labor

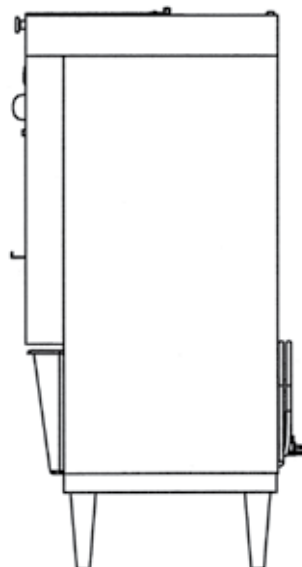
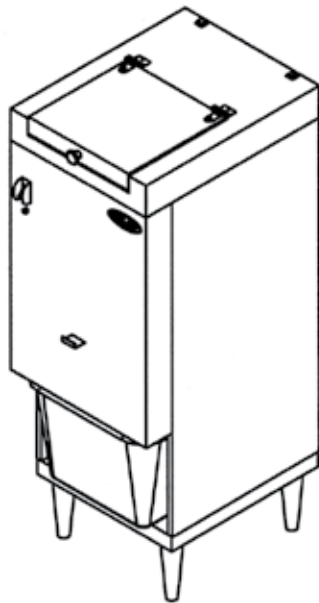
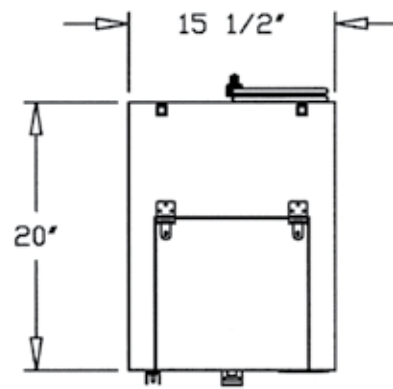
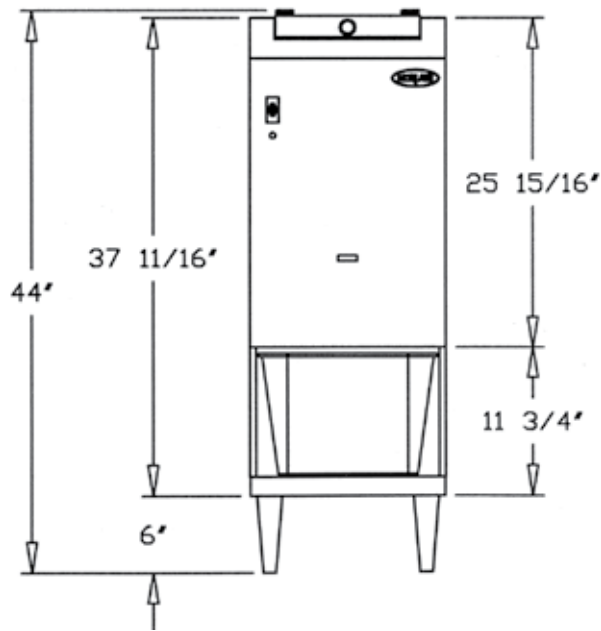
OPTIONAL FEATURES*

- Extra poly carbonate tote pan

* Most options are available two weeks from receipt of order. Please contact us for specific questions.

**C-UL is Underwriters Laboratories Safety Certification Mark which indicates that UL has tested the equipment to applicable CSA Standards.

**UL Sanitation is Underwriters Laboratories Sanitation Mark which indicates that UL has tested the equipment to applicable NSF Standards.



SPECIFICATIONS

Model	N14CRSS-A
Crated Weight (lbs) (kg)	120 (54)
Crated Height (in) (cm)	41 (104)
Crated Width (in) (cm)	23-1/4 (59)
Crated Depth (in) (cm)	19-5/8 (50)
Overall Height (in) (cm)	44 (112)
Overall Width (in) (cm)	15-1/2 (39)
Overall Depth (in) (cm)	20 (51)
Tote Pan Capacity (gal) (L)	4.75 (18)
Motor Size	1/4 HP
Electrical Characteristics	115/60/1
Cord and Plug Furnished	Yes
NEMA Plug Configuration	5-15P
Total Amp Draw	6.4

Specifications subject to change without notice.



Revision Date: 3/18
Part Number: 089714