



RFS-2379R Low-Side/Rack Flake Ice Machine

Models

RFS-2379R



RFS-2379R Low-Side/Rack Flake Ice Machine on F-1650 Bin

Standard Features

A Low-side/Rack Flake Ice Machine System consists of ice machine head section, ice storage unit, and interconnecting refrigerant lines—all ordered separately which connect into the store supplied centralized condensing system often called a rack. The rack system is shared by a variety of low side refrigeration equipment within the store like refrigerated food and beverage display cases and glass door freezer displays.

- Up to 2063 lbs. (936 kgs) daily ice production.
- Only 30" (76.2 cm) wide.
- Evaporator is designed for maximum quality and operating life.
- Flake Ice is perfect for food display, salad bars and cold therapy/healthcare.
- Ice forms around object without bruising and holds objects in place without tipping/spilling.
- Noise is removed from the ice making area promoting a relaxing atmosphere.
- Ice machine is lighter in weight to simplify installation.
- Stainless steel exterior has a clean and modern look to enhance the display in any self-serve environment.

Ice Shape

Flake ice is small hard bits of ice ideally suited for presentation applications.



COMMERCIAL WARRANTY

ICE MAKER

3
2

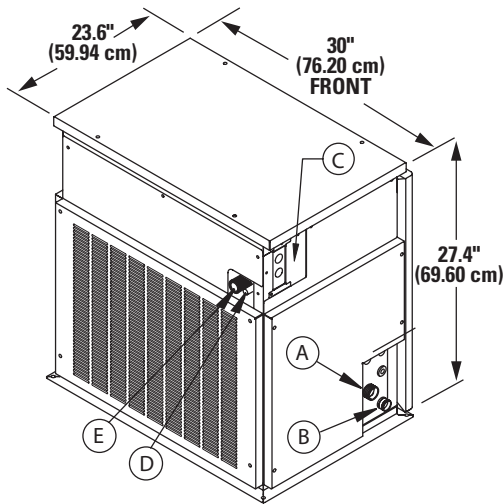
YEAR PARTS
YEAR LABOR





RFS-2379R Low-Side/Rack Flake Ice Machine

RFS-2379R Ice Machine



- (A) Ice Production Water Inlet
- (B) Ice Production Water Outlet
- (C) Electrical Junction Box
- (D) Liquid Line
- (E) Suction Line

Shipping Weight:
279 lbs. / 126.8 kgs

| Bin | Adapter |
|-------------|----------|
| B-970 | K-00422 |
| F-1300 | K-482500 |
| F-1325/1650 | K-602500 |
| FC-1350 | K-612500 |

Ice Machine Electric

208-230/60/1, 50 Hz version also available.

Minimum circuit ampacity: 3.2

Max. fuse size: 15 amps

HACR-type circuit breakers can be used in place of fuses.

Specifications

Refrigerant: R404A and R507

Refrigerating capacity: 13600 BTUH

Operating Limits:

- Ambient Temperature Range:
50°-110°F (10°-43°C)
- Water Temperature Range:
37°-90°F (3°-32°C)
- Water Pressure Ice Maker
Water In:
Min. 14 psi (96.5 kPa)
Max. 80 psi (551.1 kPa)

Installation Information and Dimensions:

Maximum Line Length—

100' (30.5 m)*

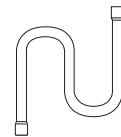
Maximum Vertical Rise*—

35' (10.7 m) above ice machine.

Maximum Vertical Drop—

15' (4.5 m) below ice machine.

*A rise over 20' (6 m) requires S-Trap Kit K-00172 - ordered separately



Low-Side Rack Ice Machine

| Model | Ice Shape | Ice Production 24 Hours* | | Power Usage kWh/100 lbs. @ 90°Air/70°F 32°Air/21°C Water | Potable Water Usage/ 100 lbs. 45.4 kgs of Ice |
|-----------|-----------|---------------------------------------|---------------------------------------|--|---|
| | | 70°Air/ 50°F Water 21°Air/ 10°C Water | 90°Air/ 70°F Water 32°Air/ 21°C Water | | |
| RFS-2379R | Flake | 2063lbs. | 1702 lbs. | 1.90 | 12 Gal. |
| | | 936 kgs | 772 kgs | | 45 L |

* ice production based on 404A refrigerant
Order ice storage bin separately. Will not accept AuCS accessory.

Standard Interconnecting Tubing

| Model | Line Length | | Weight | |
|-------|-------------|----|--------|-----|
| | ft. | m | lbs. | kgs |
| RC-21 | 20 | 6 | 12 | 5 |
| RC-31 | 30 | 9 | 20 | 9 |
| RC-51 | 50 | 15 | 28 | 13 |

