



Project \_\_\_\_\_  
 AIA # \_\_\_\_\_ SIS # \_\_\_\_\_  
 Item # \_\_\_\_\_ Quantity \_\_\_\_\_ C.S.I. Section 114000



## AM15 ELECTRIC Low Temperature Door-Style Dishwashing Machine



### STANDARD FEATURES

- + .74 gallons per rack final rinse water
- + 65 racks per hour – chemical sanitizing
- + NSF pot and pan listed for 2-, 4- & 6-minute cycles
- + Timed wash cycles for 1, 2, 4 or 6 minutes
- + Solid state, integrated controls with digital status indicators
- + Self-draining, high efficiency stainless steel pump and stainless steel impeller
- + Stainless steel drawn tank, tank shelf, chamber, trim panels, frame and feet
- + Spring counterbalanced chamber with polyethylene guides
- + Revolving, interchangeable upper and lower anticlogging wash arms
- + Revolving, interchangeable upper and lower rinse arms
- + Slanted, self-locating, one-piece scrap screen and basket system
- + Automatic fill
- + Door actuated start
- + Automatic drain closure
- + Vent fan control
- + External booster activation
- + Delime cycle
- + Service diagnostics
- + NAFEM Data Protocol capable
- + Straight-through or corner installation
- + Hot water sanitation
- + 3/4" pressure regulator valve

### SPECIFIER STATEMENT

Hobart AM15 Door Machine (standard height) low temp. Specified unit will be Hobart AM15 hood-type dishwashing machine. Features include digital controls, NSF pot and pan listing for 2-, 4- & 6-minute cycles, auto door start with auto fill & auto drain, interchangeable stainless steel wash and rinse arms, delime cycle, service diagnostics, 65 racks per hour – chemical sanitizing, .74 U.S. gallons per rack.

**1 year parts and labor warranty.**

### OPTIONS & ACCESSORIES (Available at extra cost)

- Peg rack
- Combination rack
- Splash panel kit (for corner installations)
- Flanged and seismic feet
- End of cycle audible alarm (field activated)
- Delime notification (field activated)
- Front loading kit (field installation required)
- Water hammer arrestor kit

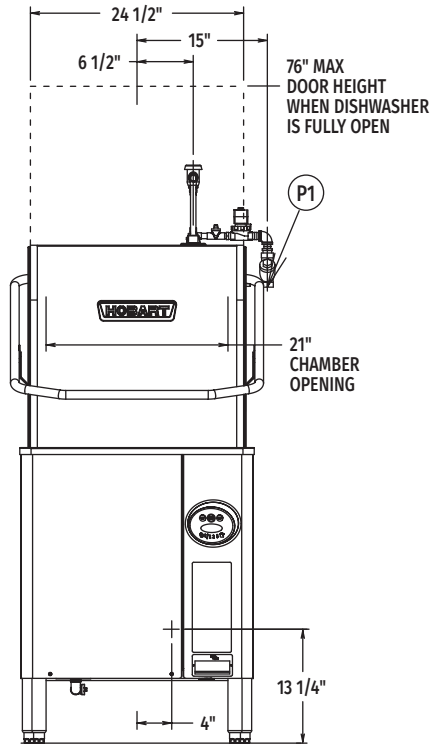
**AM SELECT SERIES – AM15 ELECTRIC LOW TEMPERATURE**

Approved by \_\_\_\_\_ Date \_\_\_\_\_ Approved by \_\_\_\_\_ Date \_\_\_\_\_

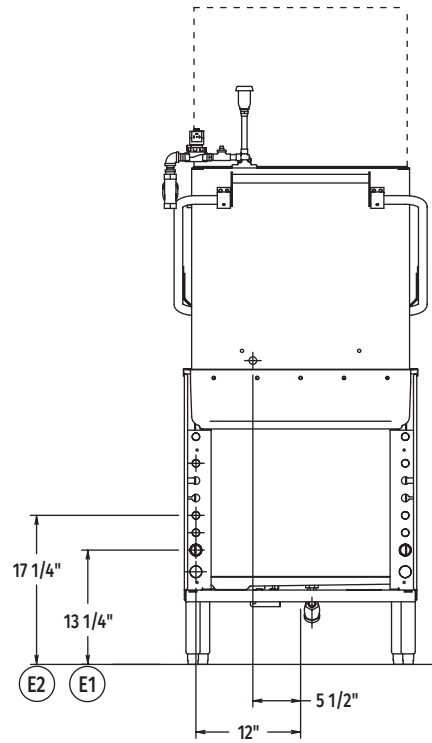


# AM15 ELECTRIC

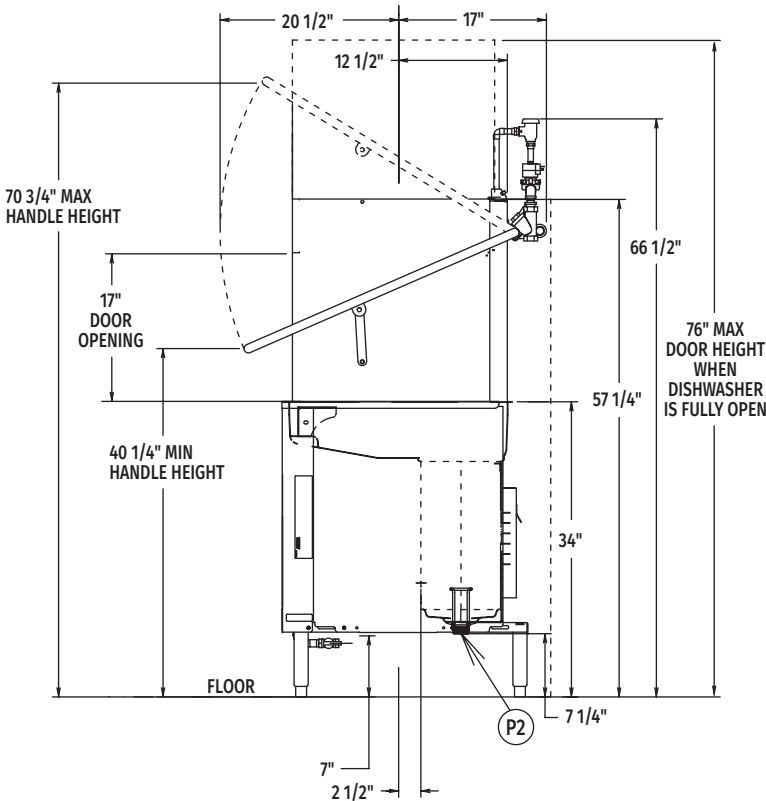
Low Temperature Door-Style  
Dishwashing Machine



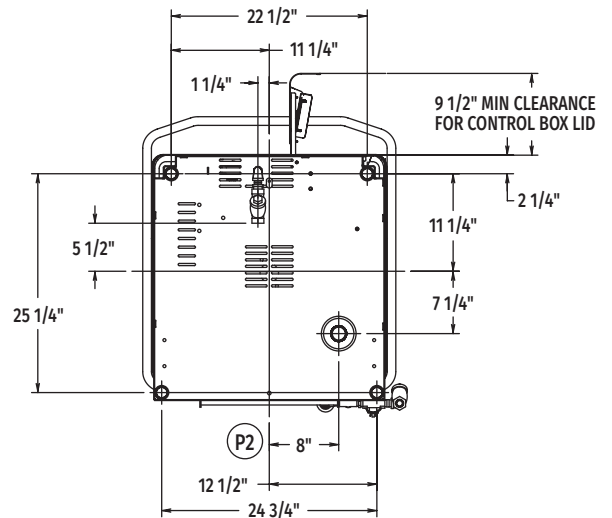
Front View



Rear View



Right Side View



Bottom View



# AM15 ELECTRIC

## Low Temperature Door-Style Dishwashing Machine

### LEGEND

Electrical Connections	
<b>E1</b>	Electric tank heat, motors & controls: 3/4" or 1" conduit, 13-1/4" AFF.
<b>E2</b>	Vent fan control. 1/2" conduit hole. (VFC1 & VFC2) 1.5 amps @ nameplate supply voltage, "ON", 17-1/4" AFF.
Plumbing Connections	
<b>P1</b>	Common water connection: 120°F minimum incoming water, 3/4" FTP, 52-1/2" AFF.
<b>P2</b>	Drain connection: 1-1/2 NPT, 7-1/4" AFF.
<b>NOTE:</b> Cold water connection at P2 (as needed) when optional drain water tempering kit is included: 55-80°F recommended water, 1/2" MPT, 7" AFF.	

**WARNING:** Plumbing and electrical connections should be made by qualified personnel who will observe all the applicable plumbing, sanitary, safety codes and National Electrical Code.

### SPECIFICATIONS

#### Capacities

Racks Per Hour (maximum) . . . . .	65
Dishes per Hour (average 25 per rack) . . . . .	1,450
Glasses per Hour (average 45 per rack) . . . . .	2,610
Wash Tank (U.S. gallons) . . . . .	14

#### Motor Horsepower

Wash . . . . .	.2
----------------	----

#### Water Consumption

Wash Pump (gallons per minute – Weir Test) . . . . .	160
--	-----

#### Rinse

Minutes Operated during Hour of Capacity Operation . . . . .	9.66
Seconds of Rinse per Rack . . . . .	10
Rate of Rinse Flow (gallons per minute at 20 lbs. flow pressure) . . . . .	4.4
Rinse Cycle (gallons per rack at 20 PSI flow) . . . . .	.74-120°F Min.

#### Peak Rate of Drain Flow

Gallons per Minute (initial rate with full tank) . . . . .	14
--	----

#### Heating

Electric Tank Heating Unit (kW) . . . . .	.5
---	----

#### Exhaust Requirements . . . . . 450

#### Shipping Weight (approximate) . . . . . 354 lbs. (without booster) 384 lbs. (with booster)

#### Crated Dimensions. . . . . 41.5"L x 35.5"W x 68"H

E1	AM15 with Electric Tank Heat, Motors and Controls		
Voltage	Rated Amps	Minimum Supply Circuit Ampacity	Maximum Protective Device
208/60/3	43.0	50	50
240/60/3	24.9	30	30
480/60/3	13.4	15	15

**Plumbing Notes:** Water hammer arrestor (meeting ASSE-1010 standard or equivalent) in common water supply line at service connection.

Recommended water hardness to be 3 grains or less for best results.

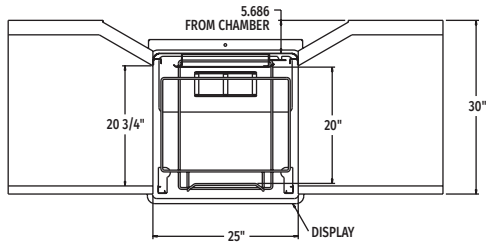
Recommended building flowing water pressure to the dishwasher is 15-25 PSI. If pressures higher than 25 PSI are present, a pressure regulating valve with internal thermal expansion bypass must be supplied (by others) in the water line to the dishwasher.

For convenience when cleaning, water tap should be installed near machine with heavy duty hose and squeeze valve.

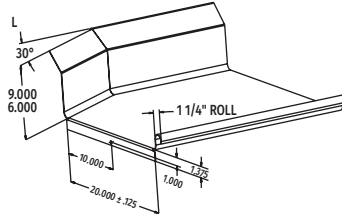


# AM15 ELECTRIC Low Temperature Door-Style Dishwashing Machine

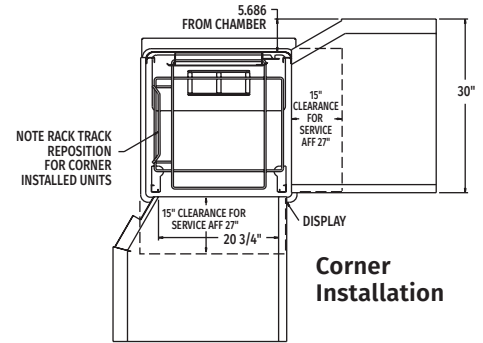
## AM15 TABLING CONFIGURATIONS AND TRACK DESIGN



Pass Thru Installation



Suggested Track Design



Top Inside View of Machine

As continued product improvement is a policy of Hobart, specifications are subject to change without notice.