



BEVERAGE-AIR

3779 Champion Blvd., Winston-Salem, NC 27105
1-888-845-9800 Fax# 1-336-245-6453
<http://www.Beverage-Air.com>

Commercial Refrigeration Equipment General Specification

3 Year Parts/Labor Warranty Additional 2 Year Compressor Warranty

DEEP & SHALLOW WELL— HORIZONTAL BOTTLE COOLERS

Deep Well horizontal coolers include 4 (four) self-contained models in widths of 50", 65", 80" and 95". One shallow well model (SF34) is available in width of 35".

CABINET CONSTRUCTION

Exteriors of both deep well and shallow well models include attractive, wear-resistant vinyl on steel in black finish. Stainless steel options are available.

Bottle cap opener and cap catcher is standard with all models.

Tops of both deep well and shallow well models include easy glide, stainless steel lids and stainless steel counter top with integral glass stops. Lid locks are optionally available.

Standard interior metal is galvanized steel. Stainless steel interior is optionally available. Adjustable dividers included are epoxy coated steel wire.

Environmentally friendly foamed-in-place CFC and HCFC-free polyurethane insulation enhances the structural strength of the cabinet and helps increase energy efficiency.

REFRIGERATION

Forced air refrigeration systems provide ample capacity to chill and hold products between 32°F and 38°F. Refrigerant R134a used in systems is CFC and HCFC-free for compliance to environmental safety concerns. Condensate elimination is automatic and non-electric.

ELECTRICAL

Units wired at factory and ready for connection to a 115/60/1 phase, 15 amp dedicated outlet. 8' long cord and plug set included.

Item No. _____
Quantity _____

DEEP & SHALLOW WELL HORIZONTAL COOLERS DW/SF SERIES

MODELS:
DW49
DW64
DW79
DW94
SF34



DW49-B



DW64-B



DW79-B



DW94-B



*Note: Not all markings

may apply to all

Available From:

| | |
|------------------------------|-----------------------|
| Model Specified _____ | Store# _____ |
| Location _____ | Quantity _____ |



ELECTRICAL CONNECTION

Units pre-wired at factory and include 8' long cord and plug set.



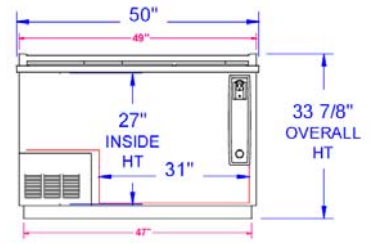
115/60/1
NEMA-5-15P

Deep & Shallow Well Horizontal Bottle Coolers

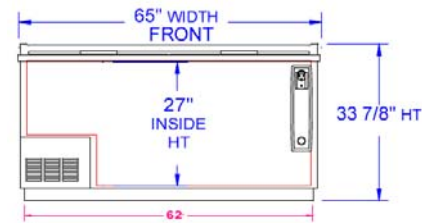
Models: DW49, DW64, DW79, DW94, SF34

| MODEL | DW49 | DW64 | DW79 | DW94 | SF34 |
|----------------------------------|--------------|--------------|--------------|--------------|--------------|
| EXTERNAL DIMENSIONAL DATA | | | | | |
| Length Overall (inches) | 50" | 65" | 80" | 95" | 35" |
| Length Overall (mm) | 1270 | 1651 | 2032 | 2413 | 889 |
| Depth Overall (inches) | 26 1/2" | 26 1/2" | 26 1/2" | 26 1/2" | 26 1/2" |
| Depth Overall (mm) | 673 | 673 | 673 | 673 | 673 |
| Height Overall—(inches) | 33 7/8" | 33 7/8" | 33 7/8" | 33 7/8" | 33 7/8" |
| Height Overall—(mm) | 860 | 860 | 860 | 860 | 860 |
| Number of lids | 2 | 2 | 3 | 4 | 1 |
| INTERNAL DIMENSIONAL DATA | | | | | |
| NET Capacity (cubic ft.) | 13.3 | 18.5 | 24.1 | 28.5 | 7.5 |
| NET Capacity (Liters) | 377 | 524 | 682 | 807 | 212 |
| Internal Length Overall (inches) | 46" | 61" | 76" | 91" | 31" |
| Internal Length Overall (mm) | 1168 | 1549 | 1930 | 2311 | 787 |
| Internal Depth Overall (inches) | 22 1/2" | 22 1/2" | 22 1/2" | 22 1/2" | 22 1/2" |
| Internal Depth Overall (mm) | 572 | 572 | 572 | 572 | 572 |
| Internal Height Overall (inches) | 27" | 27" | 27" | 27" | 18 1/2" |
| Internal Height Overall (mm) | 686 | 686 | 686 | 686 | 470 |
| Number of dividers | 3 | 4 | 5 | 6 | 2 |
| 12 oz. bottle capacity | 17 1/2 cases | 25 1/4 cases | 32 cases | 39 cases | 9 1/3 cases |
| 12 oz. can capacity | 23 3/4 cases | 34 3/4 cases | 45 3/4 cases | 55 3/4 cases | 11 1/2 cases |
| ELECTRICAL DATA | | | | | |
| Full Load Amperes 115/60/1 | 6.3 | 6.3 | 9.5 | 9.5 | 4.5 |
| ENERGY CONSUMPTION (KWH) | | | | | |
| | 3.0 | 3.52 | 3.77 | 4.32 | 4.4 |
| REFRIGERATION DATA | | | | | |
| Horsepower | 1/3 | 1/3 | 1/2 | 1/2 | 1/5 |
| WEIGHT DATA | | | | | |
| Gross Weight (Crated lbs) | 282 | 343 | 399 | 480 | 215 |
| Gross Weight (Crated kg) | 127 | 155 | 180 | 217 | 97 |

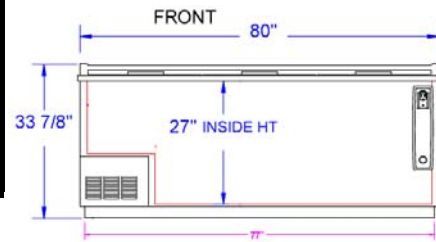
PLAN VIEWS



DW49 FRONT



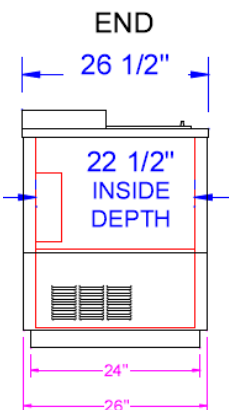
DW64 FRONT



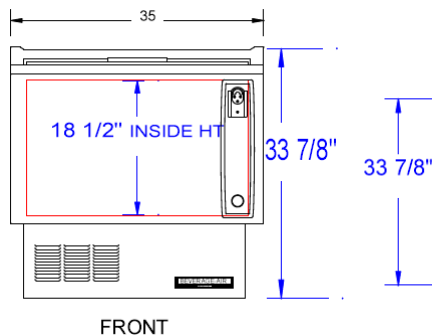
DW79 FRONT



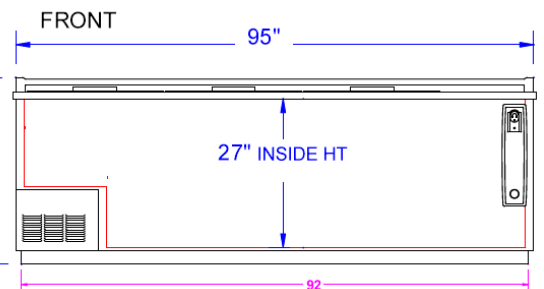
*Note: Not all markings may apply to all model variations.



COMMON END



SF34 FRONT



DW94 FRONT

BEVERAGE-AIR® CORPORATION

3779 Champion Blvd. • Winston-Salem, NC 27105 USA • (336) 245-6400 • Fax (336) 245-6453 • (888) 845-9800 • www.beverage-air.com

Specifications are subject to change without prior notice. 05/15